

CLONE

User manual

100% Made in Poland

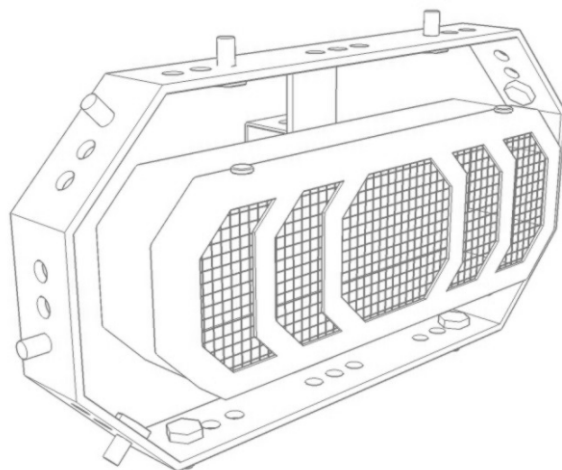


Table of contents

1. Introduction
2. Product description
3. Package contents
4. Safety
5. Safety
6. CLONE lamp overview
7. CLONE dimmer overview
8. Assembly and installation
9. Assembly and installation
10. Light bulb replacement
11. Contact information

Introduction

CLONE lamp has been designed with both professionals and amateurs in mind, who require dependable lighting during live performances, theater shows, or musical events. We place great importance on the quality of our products and the satisfaction of our customers, which is why we have developed this user manual to provide you with comprehensive information on the proper and safe use of the lamp.

We encourage you to read this manual carefully before using our product. In the manual, you will find information on assembly, operation, maintenance, and troubleshooting for the **CLONE** lamp. By following the guidelines in the manual, you will ensure long-lasting, safe, and satisfying use of our stage incandescent electric lamp.

Once again, thank you for your trust and for choosing our product. We hope that the **CLONE** lamp will meet your expectations and contribute to the success of your future artistic endeavors.

Best regards



Product Description

Our first product is called **CLONE**.
The heart of this fixture is beautiful eye-candy tungsten light
that all light designers love so much.

CLONE is available in sets of 6 x **CLONE** lamps
and 1 x 6ch dedicated dimmer.

CLONE can operate as an independent unit
or be connected in groups using the connection system
we have developed.

It does not require any additional accessories or tools.
Easy fix connection system enables fast
and convenient connection of **CLONEs** into a complex
and individual structure.

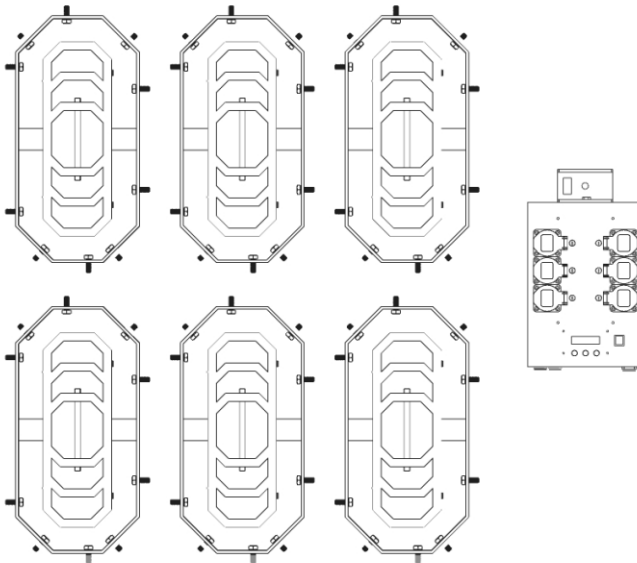
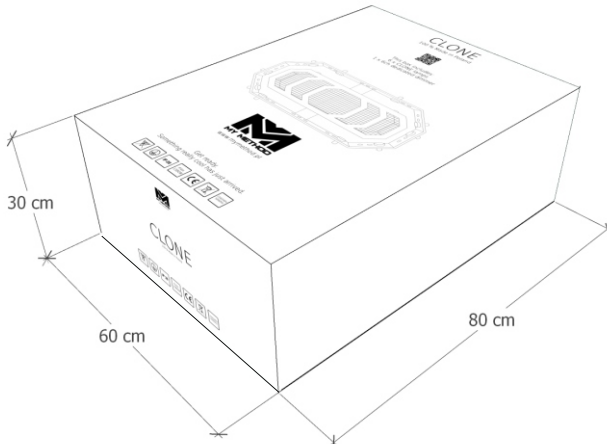
The frames can be connected on each side,
creating endless possibilities in the structure design.
A double screw locking system does not require any tools.
It is enough to tighten the screws by hand,
and they are always in place.

It's universal and suited to the standards used on stage.
All mounting holes are **12mm**.
The structure made this way is very durable.
But remember, when connecting our lamps,
you should always follow all **safety rules**
and use steel **safety lines**.

Package contents

CLONE set includes :

- 6 x CLONE lamps
- 1 x 6 channels dedicated dimmer
- 1 x 2m AC power wire Schuko/True1



BELOW YOU WILL FIND A LIST OF IMPORTANT SAFETY WARNINGS RELATED TO THE PROPER USE OF AN ELECTRIC LAMP. PLEASE READ THEM CAREFULLY BEFORE USING THE PRODUCT.

BEFORE CONNECTING THE LAMP TO A POWER SOURCE, MAKE SURE THE VOLTAGE OF THE POWER SUPPLY MATCHES THE REQUIREMENTS STATED ON THE PRODUCT OR IN THE USER MANUAL.

DO NOT USE THE LAMP NEAR WATER OR IN A DAMP ENVIRONMENT, UNLESS IT IS DESIGNED FOR OUTDOOR USE OR IN ROOMS WITH HIGH HUMIDITY.

AVOID PLACING THE LAMP CLOSE TO FLAMMABLE MATERIALS, SUCH AS CURTAINS, FURNITURE, OR CARPETS.

DO NOT TOUCH THE LIGHT BULB WHILE THE LAMP IS IN OPERATION OR IMMEDIATELY AFTER TURNING IT OFF, AS IT MAY BE VERY HOT.

ALWAYS TURN OFF THE LAMP AND DISCONNECT IT FROM THE POWER SOURCE BEFORE CHANGING THE LIGHT BULB OR PERFORMING MAINTENANCE.

IN CASE OF DAMAGE TO THE POWER CORD OR PLUG, DO NOT ATTEMPT TO REPAIR THE LAMP YOURSELF. CONTACT A QUALIFIED ELECTRICIAN.

ENSURE THAT THE LIGHT BULB USED IN THE LAMP IS OF THE APPROPRIATE TYPE AND WATTAGE, AS RECOMMENDED BY THE MANUFACTURER.

**DO NOT EXCEED THE MAXIMUM WATTAGE OF THE LIGHT BULB
STATED BY THE MANUFACTURER,**

**TO AVOID OVERHEATING AND DAMAGING THE LAMP.
DO NOT LEAVE THE LAMP TURNED ON UNATTENDED,
ESPECIALLY IN ROOMS WHERE CHILDREN OR PETS ARE PRESENT.**

**AVOID DROPS AND IMPACTS THAT MAY DAMAGE THE LAMP
OR POWER CORD.**

**IN CASE OF MALFUNCTION OR SUSPECTED DAMAGE TO THE LAMP,
DO NOT ATTEMPT TO REPAIR IT YOURSELF.
CONTACT TECHNICAL SUPPORT.**

**DO NOT MODIFY THE DEVICE IN ANY WAY,
AS THIS MAY BE DANGEROUS AND WILL VOID THE WARRANTY.**

**UNAUTHORIZED MODIFICATIONS CAN LEAD
TO INCREASED RISK OF ACCIDENTS OR DAMAGE TO THE PRODUCT.**

BY ADHERING TO THESE SAFETY GUIDELINES,

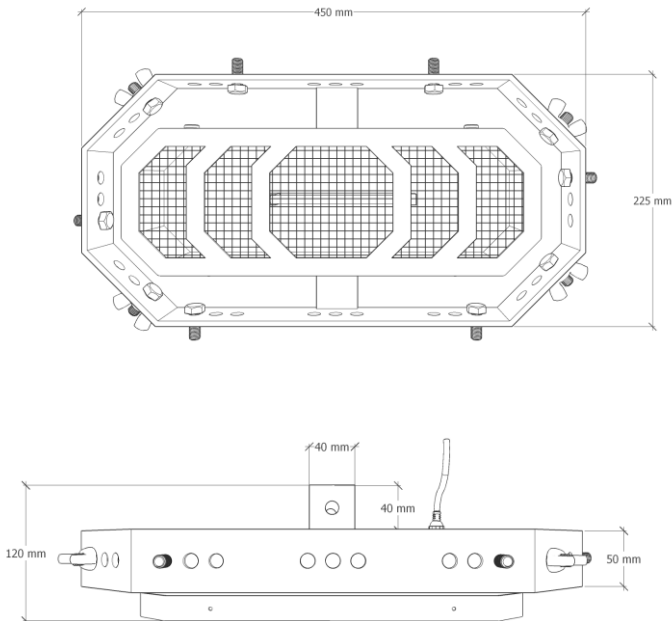
YOU WILL ENSURE YOUR SAFETY AND THAT OF OTHER USERS.

**THIS WILL HELP TO PREVENT DANGEROUS SITUATIONS
AND DAMAGE TO THE PRODUCT.**

CLONE lamp overview

CLONE lamp

- dimensions: 45 x 21,5 x 12cm
- weight: 2,5kg
- rigging: 17 x 12mm hole
- orientation: any
- input voltage: 100-240 VAC, 50/60Hz
- power consumption: 230W
- color temperature: 1600-2900K
- CRI rating: 100
- source of light: 1 x R7s 118mm OSRAM Haloline PRO 230W
- optics: silver hammered reflector
- IP rating: 20
- cable: 1,5m power cable with 230V PCE Schuko plug
- housing color: black structure



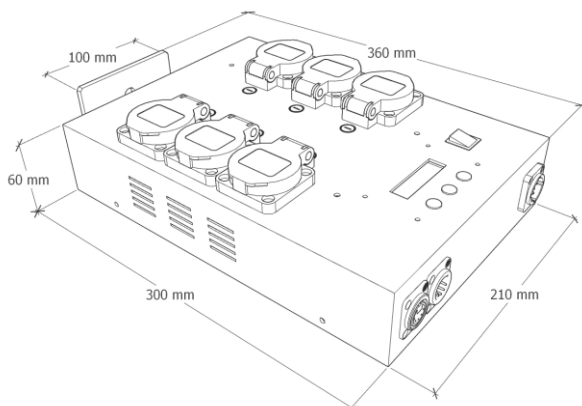
CLONE dimmer overview

CLONE dimmer

dimensions: 30 x 21 x 6cm
weight: 2,5kg
rigging: round steel handle
input Voltage: 100-240 VAC, 50/60Hz
total power consumption: 1380W
interface: high-contrast LCD display
highlighted buttons
IP rating: 20
dimmer resolution: 16 bit
DMX connectors: Neutrik DMX 5 pin in & out
DMX channels: 6
housing color: black structure

- DMX mode -

1. To change dmx address press and hold Enter for 3 seconds.
2. Set the dmx address using the plus and minus buttons.
3. To confirm the dmx address, press and hold Enter for 3 seconds.



- Manual mode -

1. Use the + - buttons to change the light intensity.

Assembly and installation

Follow the steps below to properly install the CLONE lamp.

Before starting, make sure you have read
and understood these instructions.

Observe safety rules when working with electrical devices.

Unpack the lamp:

Carefully remove the CLONE lamp from the packaging,
taking care not to damage any of its components.

Inspect the lamp:

Before installation, visually inspect the lamp
for any damages or defects.

If you notice any issues,
contact the manufacturer or supplier for assistance.

Plan the installation:

Determine the desired location and orientation of the lamp.
Consider the intended lighting effects, beam angle, and any additional
structural elements that may be required for support.

Prepare the mounting surface:

Ensure that the mounting surface is clean, stable,
and capable of supporting the weight of the lamp.

Install any necessary hooks or brackets
according to the manufacturer's recommendations.

Assembly and installation

Mount the lamp:

Each lamp must be individually mounted using a mounting bracket to the stage truss or stand.

Using the permanently attached aluminum frame, securely attach the lamp to the mounting surface or structure.

If you are connecting multiple CLONE lamps, use the easy-mount system to create the desired configuration.

Secure the lamp:

Each lamp must be secured with a safety cable.

Make sure that all components used for mounting the lamp are appropriate and meet safety requirements.

Connect to power:

Connect the lamp to the appropriate power source, ensuring that the voltage and frequency match the lamp specifications (100-240 VAC, 50/60 Hz).

Test the lamp:

Turn on the lamp and check its proper operation.

Adjust the brightness using manual or DMX control, if necessary.

Ensure that the lamp is working correctly before leaving the installation site.

Maintain a safe environment:

Keep the lamp and its surroundings clean and free of debris.

Regularly inspect and maintain the lamp to ensure its continued safe and effective operation.

Light bulb replacement

1. Turn off the power:

Make sure the lamp is disconnected from the power source and completely turned off.

Wait a few minutes for the bulb to cool down, as it can be very hot after use.

2. Prepare the new bulb:

Before starting the bulb replacement, prepare an appropriate new bulb :
R7s 118mm OSRAM Haloline PRO 230W.

3. Remove the front cover:

Unscrew the two small screws holding the front cover of the lamp. Gently remove the cover, paying attention to how it is attached, so you can reattach it after replacing the bulb.

4. Remove the damaged bulb:

Holding the damaged R7s bulb, gently pull it out of its socket. Avoid touching the bulb with your fingers, as oily fingerprints can shorten its lifespan.

5. Insert the new bulb:

Holding the new bulb by the ends (not touching the glass), gently slide it into the R7s socket until it is properly seated in place.

6. Attach the front cover:

Place the front cover back in position and tighten the screws, ensuring it is properly secured.

7. Test the operation:

Connect the lamp to the power supply and turn it on to check if the new bulb is working correctly. If the bulb is lit, the replacement has been carried out successfully.



My Method sp. z o.o.
ul. Leśna 1
81-876 Sopot

+48 797 771 540
office@mymethod.pl

